

# COMMERCIAL AUDIO



- +9
- +3
- 0
- 3
- 9
- 15
- 21
- 27



**2023**  
WWW.INTUSONIC.COM

**INTUSONIC**

# COMPANY

## CONCEPT

INTUSONIC is part of Universal Technical Industries Limited, and covers the commercial audio market for small to medium sized applications. INTUSONIC products aim to strike the right balance of features, performance and cost while being exceptionally easy to operate - after all, "intu" stands for "intuitive" and as such is at the core of our brand value. INTUSONIC products are sold through a multi-tier distribution network to provide the best possible local support.

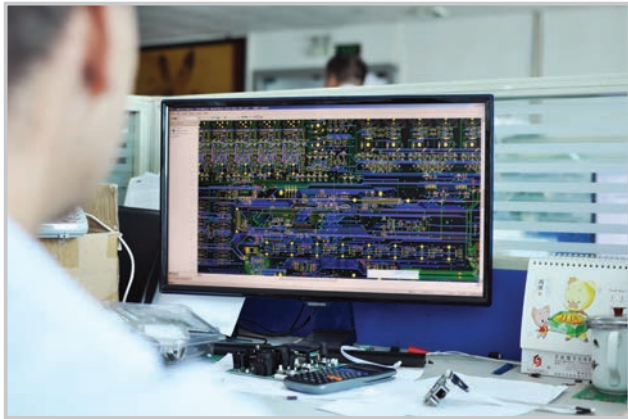
## ABILITIES

The team behind INTUSONIC has a combined experience of dozens of years in professional audio, covering every aspect from digital to analog hardware design, from software both for MCUs and DSPs, through to world-class manufacturing in our own 200-staff factory which employs the latest SMT population machinery, as well as automatic optical inspection and semi-automatic parametric testing. You can rely on this experience with every INTUSONIC product delivered.

## MISSION

We aim to make every INTUSONIC product the best choice for its intended application, in feature set, ease of operation, customer support and regulatory as well as environmental compliance. Choosing INTUSONIC for your commercial audio application shall provide you with a well designed product, assembled to the best industry practices, compliant with your local regulations and backed by the support of qualified INTUSONIC network partners.

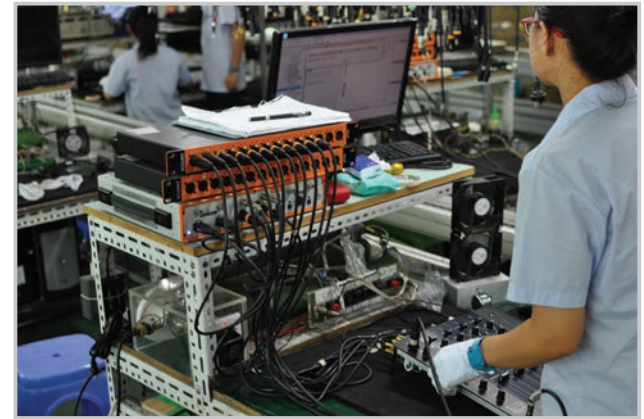
## GALLERY



▶ **ENGINEERING** - the foundation of any good product.



▶ **PCB POPULATION** - the best equipment for the best results.



▶ **AUDIO PRODUCT TEST** - 100% parametric testing



▶ **MATERIAL CONTROL** - making sure it's the right part.



▶ **WOOD WORKSHOP** - sophisticated craftsmanship at work



▶ **SPEAKER PRODUCT TEST** - nothing can cheat the Klippel!



# ▶ INTUSCAPE 6FP80R ◀

2-WAY 6" OUTDOOR BGM SPEAKER

## CONCEPT

The INTUSCAPE™ 6FP80R is a compact choice to bring background music to any venue's outdoor areas. Its one-shell design from impact-proof ABS resin with a recessed baffle insert provides superior protection against rain. A PP cone woofer and a silk dome tweeter likewise withstand the rigors of outdoor use. Nonetheless, the vented design and the controlled dispersion deliver a pristine sound quality. An internal line transformer with switchable load, a real crossover - not just a capacitor - and our unique cable gland cover as well as the ball head bracket complement the elegant looks of this speaker.

## FEATURES

- ▶ 6" LF driver in vented enclosure
- ▶ 1" silk dome tweeter & wide-dispersion HF wave guide
- ▶ Advanced passive crossover for best sound quality
- ▶ Audio-grade internal 100V line transformer (40W max)
- ▶ Mode switch for 8Ω / 5W / 10W / 20W / 40W settings
- ▶ 4P-5.0mm terminal strip for input & parallel output
- ▶ ABS resin body with M6 safety lug mounting point
- ▶ Structured scratch-resistant surface, black or white
- ▶ Rustproof aluminum front grille
- ▶ Multi-angle ball head bracket with stainless steel rod
- ▶ Waterproof cable gland cover with 2 mounting angles
- ▶ CE/ROHS compliant

Protected against a solid object greater than 2.5mm such as a screwdriver

**IP 33**

Protected against sprays of water up to 60 degrees from the vertical



Front View (grille removed)



Rear panel structure

Black and White versions available



Rear View



Side Profile

## TECHNICAL DATA

Frequency response (-6 dB).....	65Hz-20.0kHz
Sensitivity (1W/1m) / Max SPL (8Ω).....	84dB / 105dB
Dispersion HxV.....	90° x 80°
Impedance.....	8Ω / 100V-5W/10W/20W/40W
Power Handling.....	65W (AES)
Drivers / Design.....	6.0" LF (vented) & 1" SDT
Material.....	ABS
Surface.....	Texture
IP Rating.....	33
Dimensions WxDxH.....	200x156x285mm
Weight.....	3.39 kg

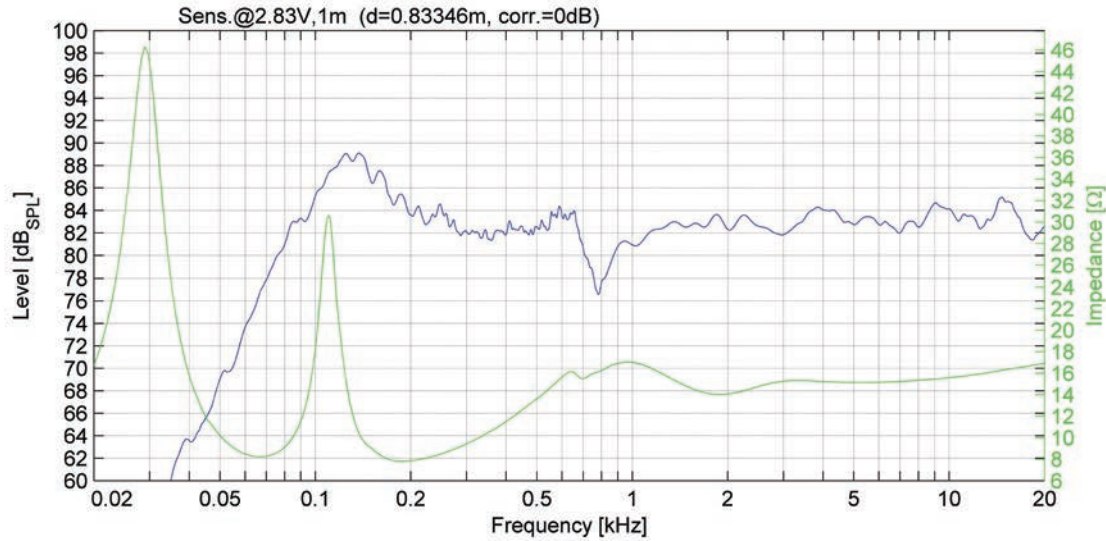
## LOGISTICS DATA

Order Number (black).....	1306701
Single unit EAN-13 (black).....	5060502923486
Order Number (white).....	1306711
Single unit EAN-13 (white).....	5060502923493
Single Carton size WxDxH.....	250x210x370mm
Single Carton gross weight.....	3.75 kg
Units per master carton.....	2
Master carton size WxDxH.....	435x265x390mm
Master carton gross weight.....	8.10 kg

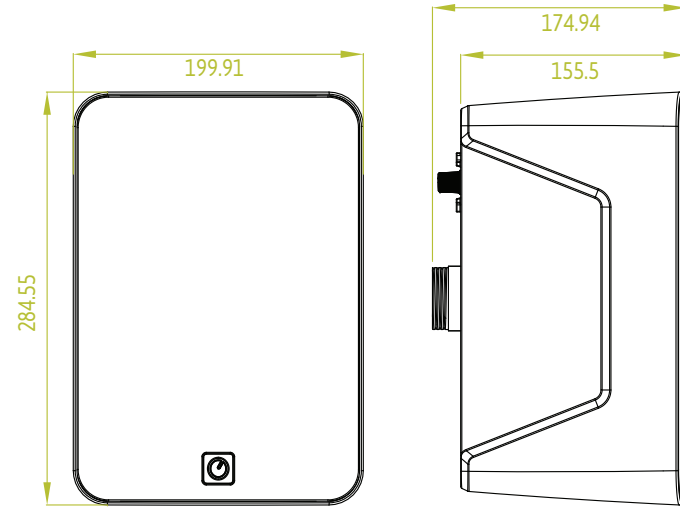
# INTUSCAPE 6FP80R

2-WAY 6" OUTDOOR BGM SPEAKER

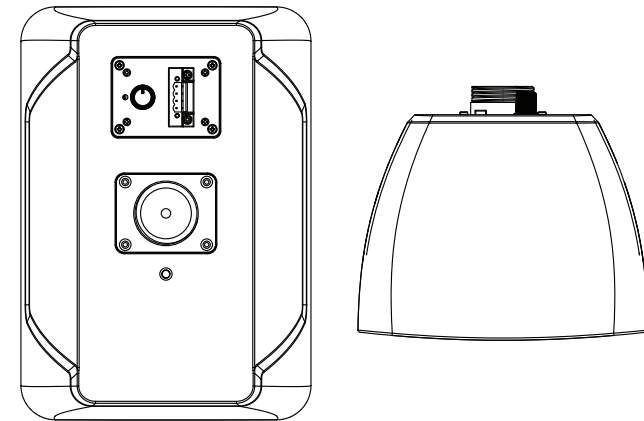
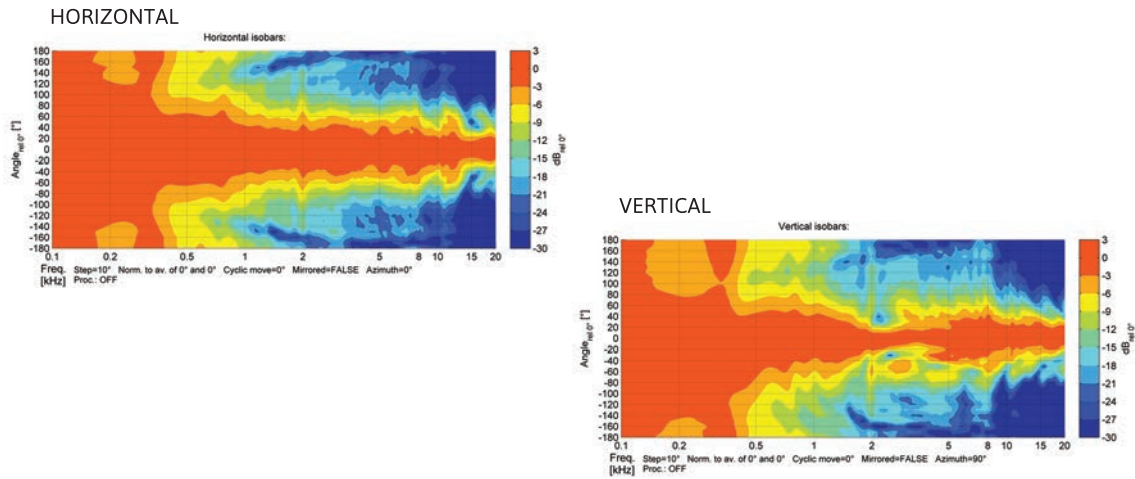
## FREQUENCY RESPONSE



## DIMENSIONS



## DIRECTIVITY



SPEAKER LOZ / HiZ

SPEAKER LOZ / HiZ

# INTUSCAPE 4FP40R

2-WAY 4" OUTDOOR BGM SPEAKER

## CONCEPT

The INTUSCAPE™ 4FP40R is the most compact choice to bring background music to any venue's outdoor areas. Its one-shell design from impact-proof ABS resin with a recessed baffle insert provides superior protection against rain. A PP cone woofer and a silk dome tweeter likewise withstand the rigors of outdoor use. Nonetheless, the vented design and the controlled dispersion deliver a pristine sound quality. An internal line transformer with switchable load, a real crossover - not just a capacitor - and our unique cable gland cover as well as the ball head bracket complement the elegant looks of this speaker.

## FEATURES

- ▶ 4" LF driver in vented enclosure
- ▶ 1" silk dome tweeter & wide-dispersion HF wave guide
- ▶ Advanced passive crossover for best sound quality
- ▶ Audio-grade internal 100V line transformer (20W max)
- ▶ Mode switch for 8Ω / 2.5W / 5W / 10W / 20W settings
- ▶ 4P-5.0mm terminal strip for input & parallel output
- ▶ ABS resin body with M6 safety lug mounting point
- ▶ Structured scratch-resistant surface, black or white
- ▶ Rustproof aluminum front grille
- ▶ Multi-angle ball head bracket with stainless steel rod
- ▶ Waterproof cable gland cover with 2 mounting angles
- ▶ CE/ROHS compliant

Protected against a solid object greater than 2.5mm such as a screwdriver

**IP 33**

Protected against sprays of water up to 60 degrees from the vertical



Black and White versions available



Front View (grille removed)



Rear panel structure



Rear View



Side Profile

## TECHNICAL DATA

Frequency response (-6 dB).....	80Hz-15.0kHz
Sensitivity (1W/1m) / Max SPL (8Ω).....	84dB / 101dB
Dispersion HxV.....	90° x 80°
Impedance.....	8Ω / 100V-2.5W/5W/10W/20W
Power Handling.....	30W (AES)
Drivers / Design.....	4.0" LF (vented) & 1" SDT
Material.....	ABS
Surface.....	Texture
IP Rating.....	33
Dimensions WxDxH.....	153x120x217mm
Weight.....	2.18 kg

## LOGISTICS DATA

Order Number (black).....	1306601
Single unit EAN-13 (black).....	5060502923462
Order Number (white).....	1306611
Single unit EAN-13 (white).....	5060502923479
Single Carton size WxDxH.....	200x170x305mm
Single Carton gross weight.....	2.48 kg
Units per master carton.....	4
Master carton size WxDxH.....	415x355x325mm
Master carton gross weight.....	10.40 kg

SPEAKER LOZ / HiZ

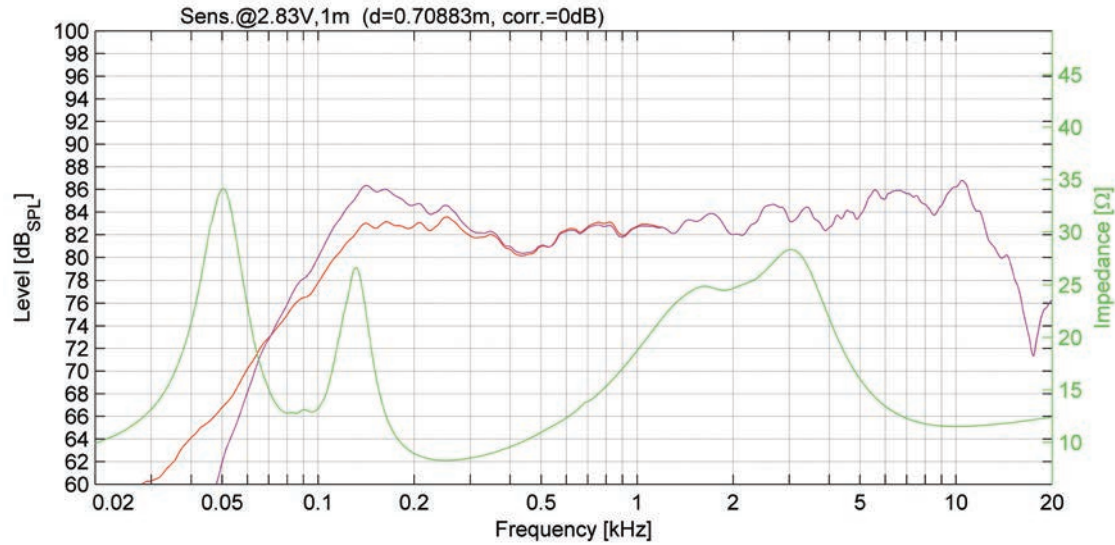
SPEAKER LOZ / HiZ



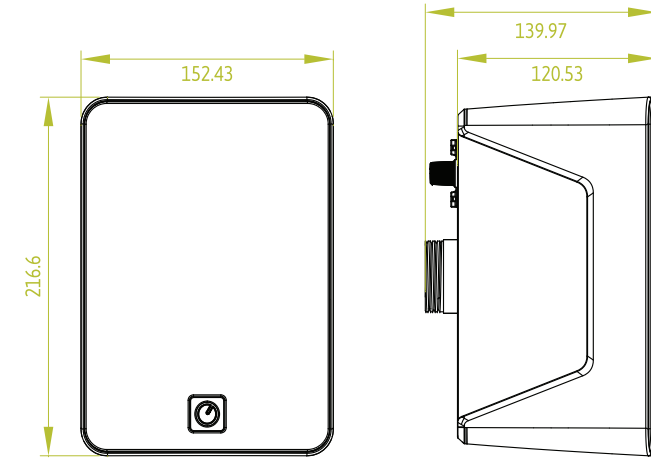
# INTUSCAPE 4FP40R

2-WAY 4" OUTDOOR BGM SPEAKER

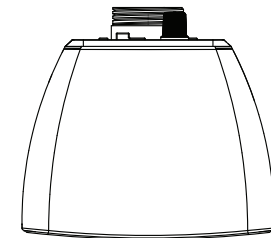
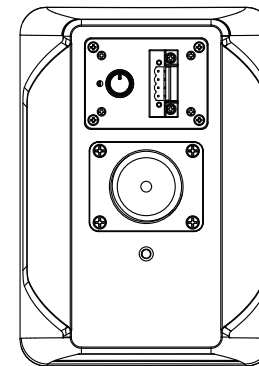
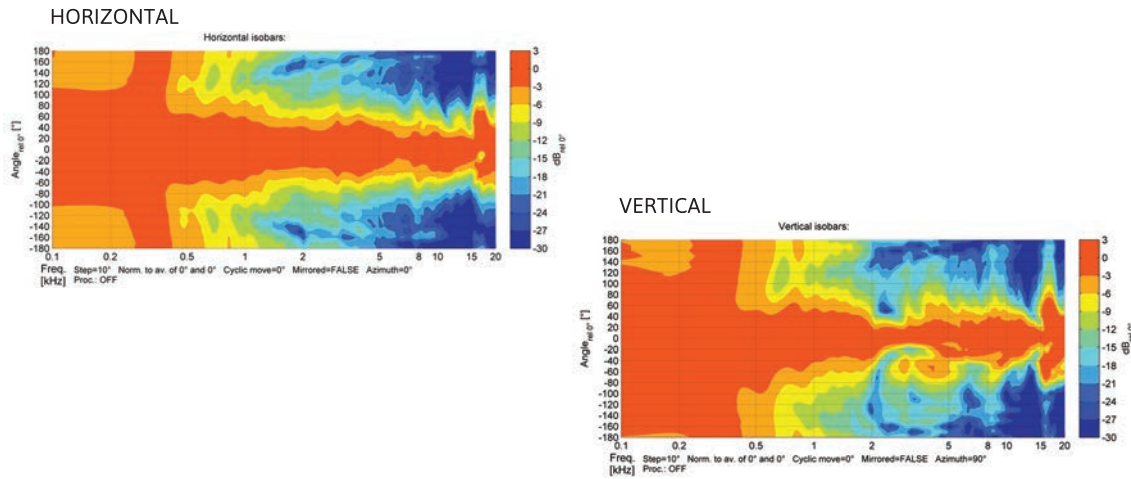
## FREQUENCY RESPONSE



## DIMENSIONS



## DIRECTIVITY



SPEAKER LOZ / HiZ

# ▶ INTUCAB6FP100T ◀

2-WAY 6.5" FULLRANGE PA SPEAKER

SPEAKER LoZ

## CONCEPT

The INTUCAB™ 6FP100T is the most universal choice for audio systems requiring a small footprint, without sacrifice to sound quality and SPL. The multitude of connections (Speakon-compatible and 5mm terminal strip), as well as the available input transformer option for 100V systems, contribute further to its versatility. Mounting options include VESA, M6 and M10 mounting points, plus the (patent-pending) L-shaped reversible rear panel allowing for suspended mounting, truss mounting and bracket mounting. Available in black and white structural paint finish. Add the INTUCAB™ 8SM300T Subwoofer for extended low frequency performance.

## FEATURES

- ▶ 6.5" LF driver, 80W AES power handling
- ▶ 1" HF compression driver & wide-dispersion HF horn
- ▶ Horn 90 degree rotatable for horizontal or vertical use
- ▶ Advanced passive crossover for best sound quality
- ▶ Dual parallel Speakon-compatible connectors for LoZ
- ▶ 5.0mm terminal strip connector for LoZ and HiZ
- ▶ Reversible L-shaped rear panel (patent pending) with 75mm VESA/1xM10/3xM6 mounting points
- ▶ 12mm MDF construction
- ▶ Structured scratch-resistant paint, black or white
- ▶ Rugged steel front grille with cosmetic rear-side foam
- ▶ 100V transformer kit option (UTK60 - sold separately)
- ▶ CE/ROHS compliant



## TECHNICAL DATA

Frequency response (-3 dB).....	75Hz-16.5kHz
Sensitivity (1W/1m) / Max SPL.....	92dB / 116.5dB
Impedance .....	8Ω
Power Handling.....	80W (AES)
Drivers / Design.....	6.5" LF (vented) & 1" CP
Material.....	12mm MDF
Surface.....	Scratch-resistant paint
IP Rating.....	20
Dimensions WxDxH.....	225x252x325mm
Weight.....	8.15 kg

## LOGISTICS DATA

Order Number (black).....	1304701
Single unit EAN-13 (black).....	5060502923035
Order Number (white).....	1304711
Single unit EAN-13 (white).....	5060502923042
Single Carton size WxDxH.....	370x320x300mm
Single Carton gross weight.....	8.75 kg
Units per master carton.....	2
Master carton size WxDxH.....	665x385x325mm
Master carton gross weight.....	18.35 kg
100V /60W Transformer kit (model UTK60)	
Order Number .....	1305701
Single unit EAN-13.....	5060502923387

## APPLICATION EXAMPLES

Shown accessories are not included.



Suspended

Coupler Mounted

VESA (Rear) Mounted

Downside Suspended



Top mounting points



Rear panel connections



6.5" Woofer & HF Driver



White version (white grille)

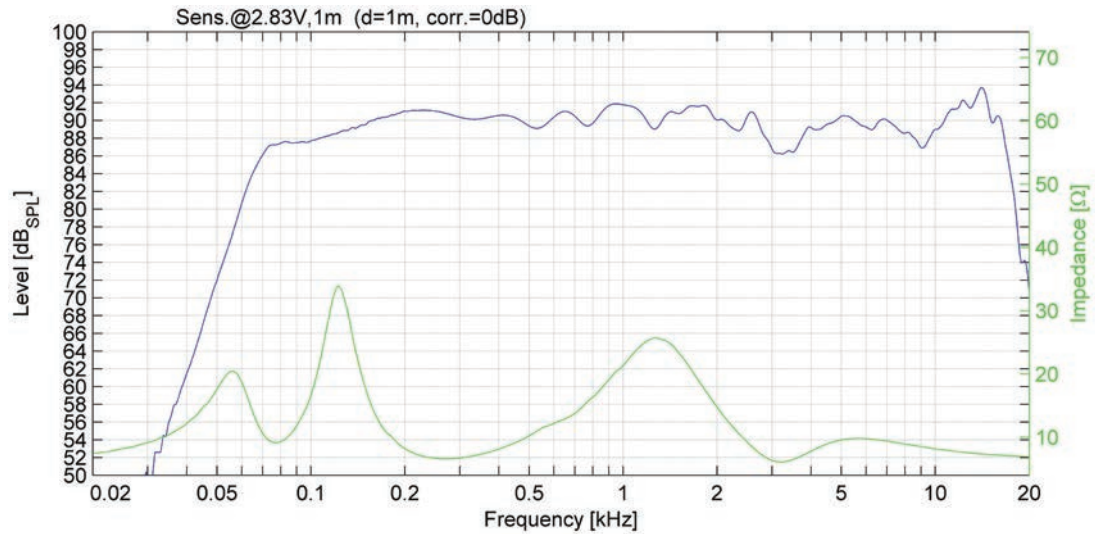
SPEAKER LoZ

# INTUCAB6FP100T

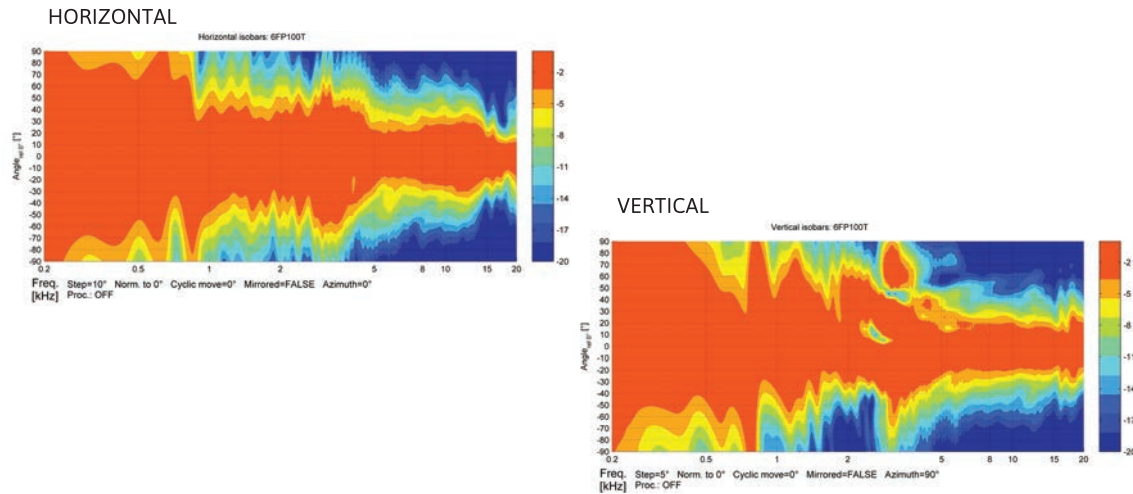
2-WAY 6.5" FULLRANGE PA SPEAKER

SPEAKER LoZ

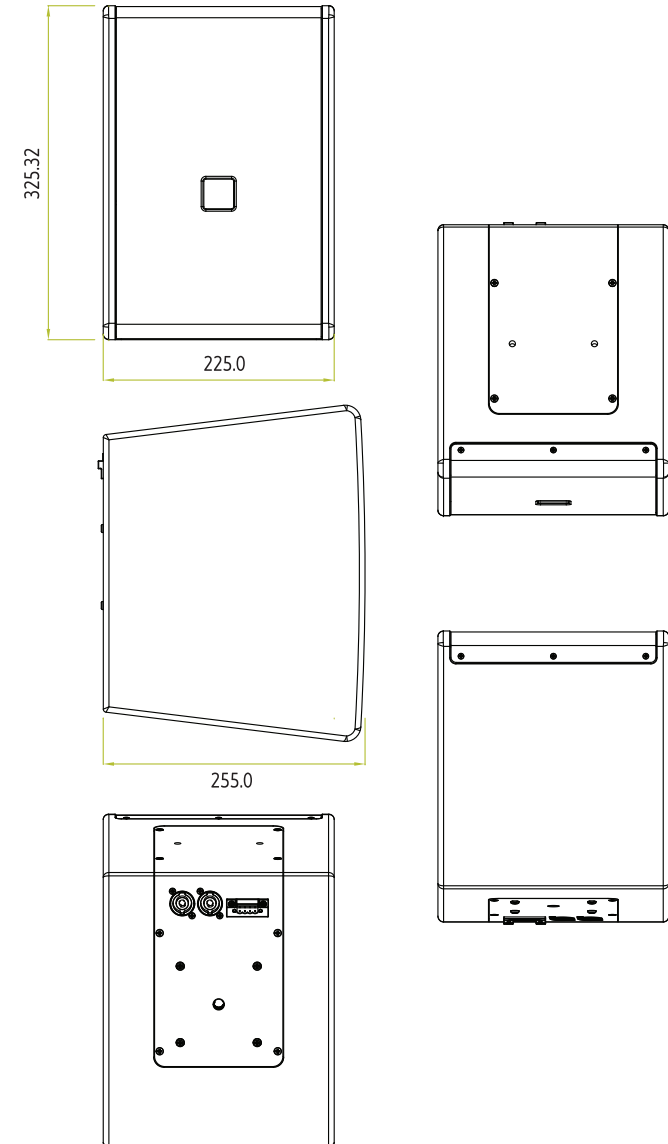
## FREQUENCY RESPONSE



## DIRECTIVITY



## DIMENSIONS



SPEAKER LoZ



# INTUCAB4FW50T

WIDEBAND 4" INDOOR BGM SPEAKER

SPEAKER LOZ

## CONCEPT

The INTUCAB™ 4FW50T is a wideband background music speaker for indoor applications where an unobtrusive appearance and mechanical ruggedness must be combined with above-average SPL and pristine sound quality. With 16 Ohms of impedance, it is perfectly suited for low-impedance applications with up to 4 speakers in parallel, and the optionally available input transformer kit makes integration with 100V systems easy as well. Catering for the ease of cabling in fixed installations, an additional 5.0mm terminal strip is provided. The mounting options include M6 and M10 mounting points, allowing for suspended mounting, truss mounting and bracket mounting. Available in black and white structural paint finish for further flexibility. For fullrange applications, a combination with the INTUCAB™ 8SM300T Subwoofer is recommended.

## FEATURES

- ▶ 4" Wideband driver, 20W AES power handling
- ▶ Dual Speakon-compatible connectors (parallel)
- ▶ 5.0mm terminal strip connector in parallel
- ▶ M10 truss hook mounting point, plus 3xM6 suspension points
- ▶ 12mm MDF construction
- ▶ Structured scratch-resistant paint, black or white
- ▶ Rugged steel front grille with cosmetic rear-side foam
- ▶ 100V transformer kit option (UTK20 - sold separately)
- ▶ CE/ROHS compliant



Rear panel connections



4" Wideband driver



Top mounting points

## TECHNICAL DATA

Frequency response (-3 dB).....	100Hz-15kHz
Sensitivity (1W/1m) / Max SPL.....	84dB/102.5dB
Impedance.....	16Ω
Power Handling.....	20W (AES)
Driver / Design.....	4" wideband / closed
Material.....	12mm MDF
Surface.....	Scratch-resistant paint
IP Rating.....	20
Dimensions.....	WxDxH 130x160x138mm
Weight.....	1.95 kg

## LOGISTICS DATA

Order Number (black).....	1305201
Single unit EAN-13 (black).....	5060502923004
Order Number (white).....	1305211
Single unit EAN-13 (white).....	5060502923011
Single Carton size.....	WxDxH 215x190x195mm
Single Carton gross weight.....	2.25 kg
Units per master carton.....	4
Master carton size.....	WxDxH 445x396x220mm
Master carton gross weight.....	9.5 kg
100V /20W Transformer kit (model UTK20)	
Order Number.....	1306001
Single unit EAN-13.....	5060502923394

## APPLICATION EXAMPLES

Shown accessories not included.



Suspended

Coupler Mounted

Bracket Mounted

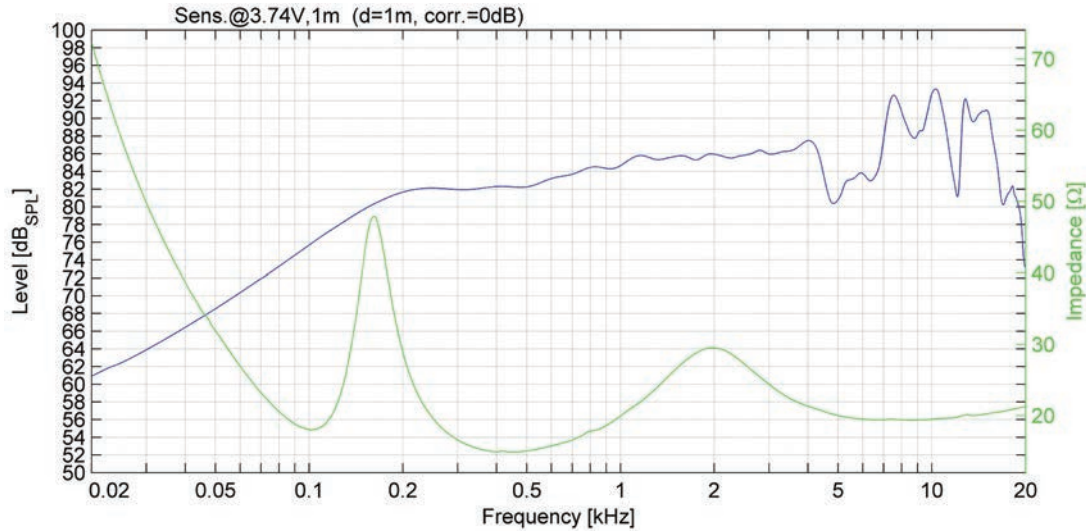
SPEAKER LOZ

# INTUCAB4FW50T

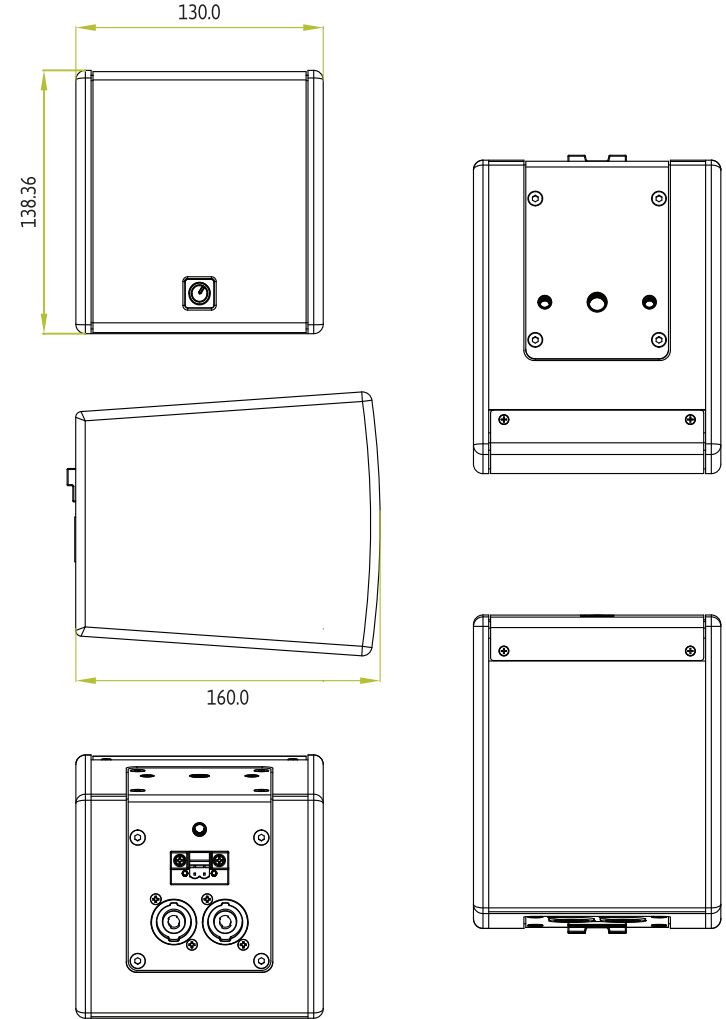
WIDEBAND 4" INDOOR BGM SPEAKER

SPEAKER LoZ

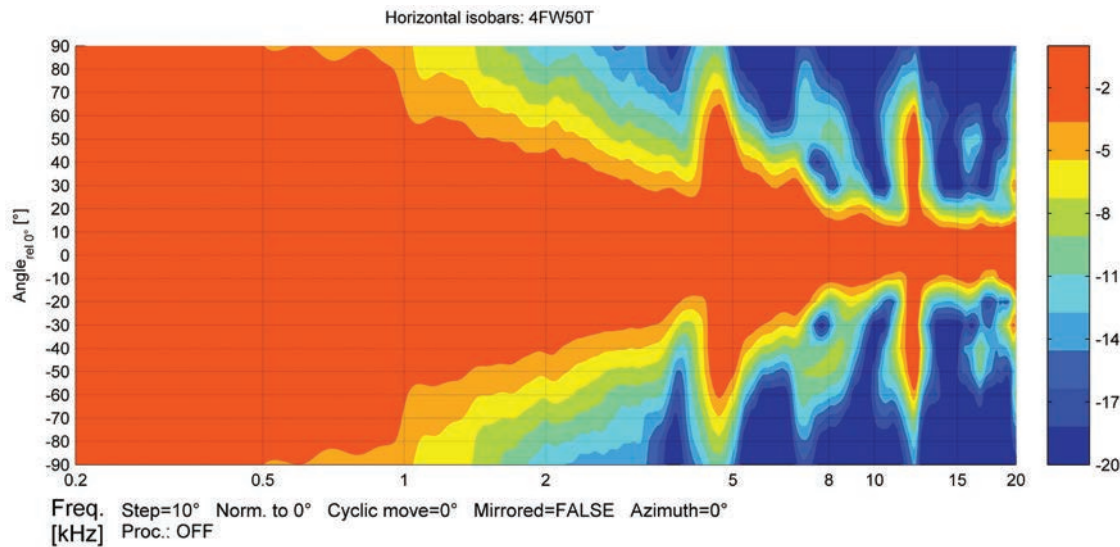
## FREQUENCY RESPONSE



## DIMENSIONS



## DIRECTIVITY



SPEAKER LoZ

# INTUCAB8SM300T

DUAL 8" INSTALLATION SUBWOOFER

## CONCEPT

The INTUCAB™ 8SM300T is a dual 8" compact installation subwoofer, allowing positioning below objects or on-wall in variable directions via an included mounting rail. The dual driver design in separate chambers provides fast transient response and excellent low-frequency performance. Drivers can be wired for separate left/right amplifier channels, or in parallel for a mono amplifier setup (note: a separate crossover is required). The 8SM300T is an affordable yet powerful low-end extension to the frequency response of any installed sound system.

## FEATURES

- ▶ Low-Profile installation subwoofer, only 270mm high
- ▶ 2x8" high-efficiency LF drivers
- ▶ 8Ω impedance per driver, dual chamber vented design
- ▶ Terminal strip connections with individual access to both internal drivers, for separate/parallel wiring
- ▶ Additional 2xSpeakon™-compatible connectors
- ▶ Thread inserts in square mounting pattern on bottom for wall mounting rail (included), allowing 4 positions
- ▶ 15mm MDF construction
- ▶ Structured scratch-resistant paint, black or white
- ▶ Rugged steel front grille with cosmetic rear-side foam
- ▶ No internal crossover (external crossover required)
- ▶ Wall mounting rail included
- ▶ CE/ROHS compliant

## TECHNICAL DATA

Frequency response (-3dB).....	45Hz-4000Hz
Sensitivity (1W/1m) SPW/PRW.....	94/100dB
Impedance .....	2x8Ω
Power Handling.....	2x150W (AES)
Drivers.....	2x8" in dual chamber vented case
Material.....	15mm MDF
Surface.....	Scratch-resistant paint
IP Rating.....	20
Dimensions WxDxH.....	610x450x270mm
Weight.....	20.0 kg



Slanted front grille



Vented dual 8" woofer design



Bottom with 4-direction wall mount



Rear panel connections

## APPLICATION EXAMPLES



## LOGISTICS DATA

Order Number (black).....	1304801
Single unit EAN-13 (black).....	5060502923066
Order Number (white).....	1304811
Single unit EAN-13 (white).....	5060502923073
Single Carton size WxDxH.....	680x522x340mm
Single Carton gross weight.....	22.2 kg
Units per master carton.....	1
Master carton size.....	as SC
Master carton gross weight.....	as SC

Wall mounting rail included with every unit.

## COLOR OPTIONS



White structural paint finish

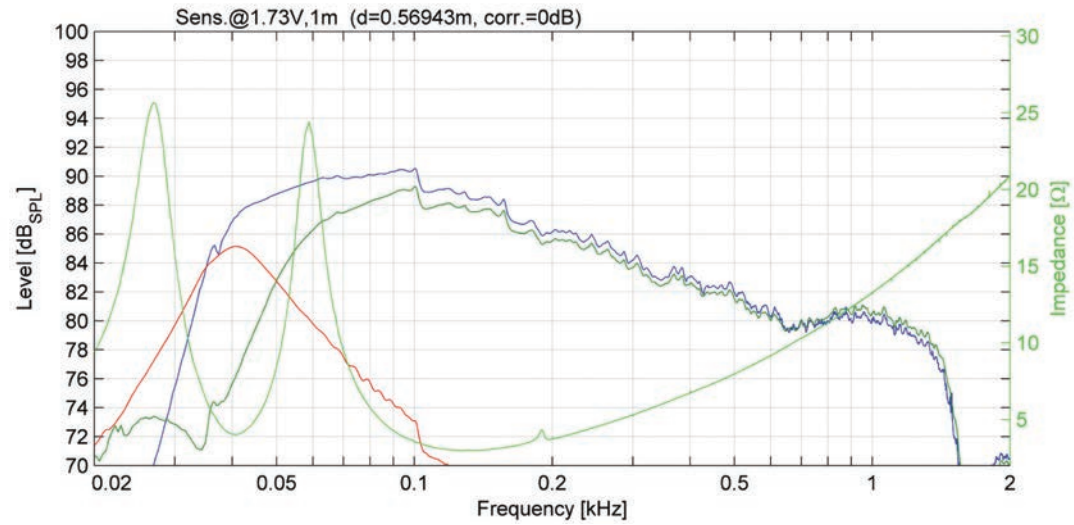


# INTUCAB8SM300T

DUAL 8" INSTALLATION SUBWOOFER

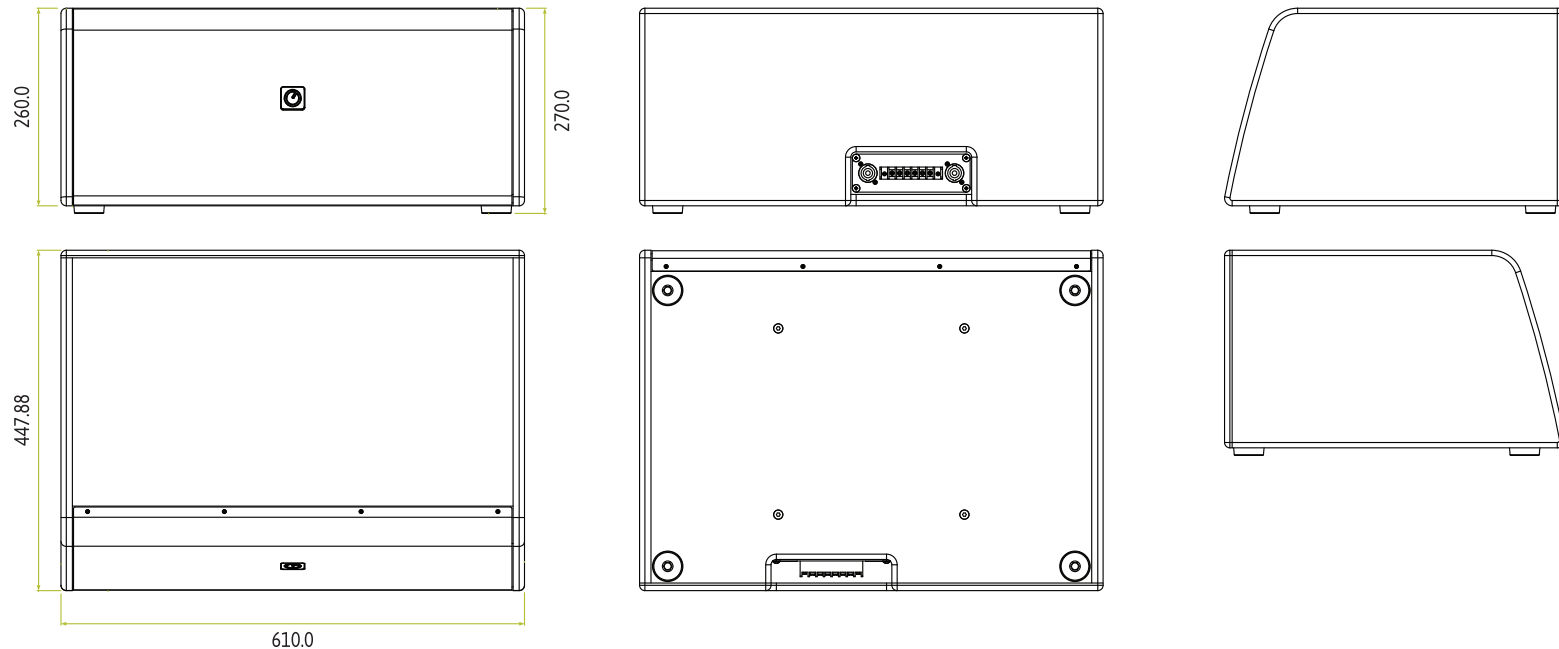
SPEAKER LoZ

## FREQUENCY RESPONSE



Note: Graph shows both woofers in parallel wiring configuration.

## DIMENSIONS



SPEAKER LoZ

# APPLICATION EXAMPLE

## SMALL COFFEE BAR

SUPPORT DATA

### APPLICATION

Small Coffee Bar

### OBJECTIVE

To provide a discreet but great sounding background audio system that is easy to operate, aesthetically pleasing and compact.

### CUSTOMER REQUIREMENT

- ▶ Even audio distribution but excelling in sonic quality
- ▶ Basic audio control with minimal staff input
- ▶ Discreet loudspeaker cabinets to be mounted to the wall
- ▶ Playback system to be small enough to fit below serving area
- ▶ Must be able to offer hardwired audio from a local media device

### PRODUCT SOLUTION



**4FW50T**

4x 4" wideband loudspeakers for seating area



**8SM300T**

1x Dual 8" subwoofer



**4SDL160**

1x 4-Channel amplifier



**VLA42**

1x Remote volume control node



### CONCEPT

A small footprint background audio system with excellent audio reproduction in the form of four 4FW50T loudspeakers strategically placed to provide even coverage, twinned with a single 8SM-300T subwoofer to provide a rich lower frequency extension. This combination provides a Hi-Fi like listening experience at an excellent price point. With the subwoofer hidden within the serving area and the wideband loudspeakers mounted up high and out of the way, the system was barely visible.

Powering the loudspeakers is a single 4SDL160 four-channel amplifier configured in its 2.1 mode making use of its internal crossover settings. This was installed into a compact rack case alongside a VLA42 for simple audio replay capabilities. The optional JUP2 rack kit was specified for the VLA42 meaning the entire playback system was housed in a 3U flight case with the catering staff having access to a hardwired, portable media player.

SUPPORT DATA

# ▶ INTUFORCE 4SDL160 ◀

MULTICHANNEL SYSTEM AMPLIFIER

AMPLIFIER LoZ



## CONCEPT

The INTUFORCE™ 4SDL160 is - despite its simple front panel layout - a very versatile system amplifier for LoZ installed sound systems. Via its comprehensive rear-panel controls, it can be set from a 4-zone amplifier to a dual stereo amplifier or a 2.1 satellite & subwoofer system amplifier. The latter is facilitated by its in-built active crossover with 4 selectable crossover frequencies and its bridging feature for the 3rd and 4th channel. Larger systems are easily set up via the link connectors. Built on cutting edge class D technology, the unit is convection cooled and hence also suitable for applications sensitive to background noise. The conservative switch mode PSU design delivers not only peak power, but also long-term endurance. Best to be combined with 2 or 4 satellite speakers and a subwoofer as one compact system.

## FEATURES

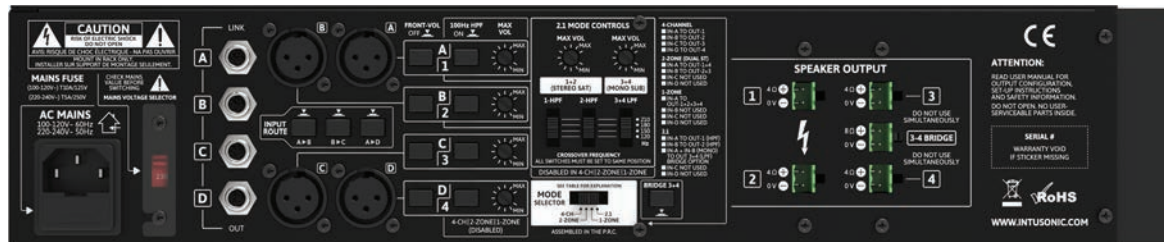
- ▶ 4 individual amplifier blocks with 150W power @ 4Ω each
- ▶ Class D topology with switch mode power supply
- ▶ Amplifier 3 and 4 bridgeable via rear-panel switch (front LED)
- ▶ Front-panel controls for volume and indicators for signal and clip per channel plus protection indicator per channel pair
- ▶ Rear-side switch to disable front-side volume controls
- ▶ Rear-side adjustable maximum volume per channel
- ▶ Rear-side switchable 100Hz HPF per channel
- ▶ Input section with balanced XLR connectors and ultra-high CMRR circuitry for long cable runs
- ▶ Input signal throughput via balanced TRS Link connectors
- ▶ Input signal forwarding switches to set 1-to-4, 2-to-2 and 4-to-1 configurations without external cabling
- ▶ Mode switch to select 4-Zone, 2-Zone, 1-Zone and 2.1 modes
- ▶ Active crossover with 4 selectable frequencies (120/150/180/210Hz) for 2.1 Mode, separate sat/sub volume controls
- ▶ Speaker output via 5.0mm terminal strip connectors
- ▶ Noiseless convection cooling without fan
- ▶ Full metal case with separately detachable rack ears and handles
- ▶ AC mains voltage selector 115/230V

## TECHNICAL DATA

Rated Power @ 4Ω/8Ω.....	4x 150W/80W
Frequency response.....	20Hz – 20 kHz
S/N ratio.....	> 74 dB
Crosstalk damping.....	> 55dB
THD&N (rated power).....	< 0.12%
AC IN .....	115V/230~ 50/60Hz, max 700W
Dimensions WxDxH.....	482.6x245x88mm
Weight.....	4.6 kg

## LOGISTICS DATA

Order Number.....	2011701
Single unit EAN-13.....	5060502923127
Single Carton size WxDxH.....	535x330x122 mm
Single Carton gross weight.....	5.1 kg
Units per master carton.....	3
Master carton size.....	WxDxH 555x395x360mm
Master carton gross weight.....	16.2 kg



AMPLIFIER LoZ



# ▶ INTUFORCE 2SDL160 ◀

STEREO AUDIO UTILITY AMPLIFIER

AMPLIFIER LoZ



## CONCEPT

The INTUFORCE™ 2SDL160 is an extremely versatile low-impedance power amplifier for installation purposes. Featuring ultra-high CMRR circuitry at the input, it accepts long cable runs. Via its input forwarding function, it can serve both as a stereo and as a dual-mono amplifier. The input signals can be processed per channel by the internal 2-band EQ as well as a 100Hz Highpass filter to suit the connected speakers. Rear-side volume controls with peak LEDs allow exact level settings without any tampering by the operator. An ultra-flexible link output, which can either carry the original input signal or the signal processed by the volume controls and EQs, allows to build large cascaded systems to more complex requirements. Being based on class D amplification technology and a switch mode power supply with very conservative power reserves, the 2SDL160 not only runs cool and silent, but also has the endurance to satisfy the most demanding applications.

## FEATURES

- ▶ 2 individual amplifier blocks with 150W power @ 4Ω each
- ▶ Class D topology with switch mode power supply
- ▶ Balanced (XLR-TRS Combo and 3.5mm terminal strip) inputs
- ▶ Ultra-High CMRR input circuitry for long cable runs
- ▶ Mono-summing option for two incoming stereo signals (on 3.5mm terminal strip connectors) allows to process two stereo signals into two mono signals
- ▶ Input forwarding switch for stereo and parallel mono modes
- ▶ Rear-side volume control for each channel with Peak LED
- ▶ Separate 2-Band-EQ and 100Hz HPF for both inputs
- ▶ XLR line-level LINK output with selectable routing pre/post Volume/EQ to allow flexible scaling of cascaded systems
- ▶ External MUTE contact
- ▶ Speaker output via 5.0mm terminal strip connectors
- ▶ Noiseless convection cooling without fan
- ▶ Full metal case with separately detachable rack ears and handles
- ▶ AC mains voltage selector 115/230V
- ▶ CE/ROHS compliant

## TECHNICAL DATA

Rated Power @ 4Ω/8Ω.....	2x 150W/80W
Frequency response.....	20Hz – 20 kHz
S/N ratio (8Ω, full power).....	> 89 dB
Residual Noise (full power).....	< -71dBu
Crosstalk damping.....	> 63dB
THD&N (rated power).....	< 0.12%
AC IN .....	115V/230~ 50/60Hz, max 350W
Dimensions.....	WxDxH 482.6x245x44mm
Weight.....	3.3 kg

## LOGISTICS DATA

Order Number.....	2018501
Single unit EAN-13.....	5060502923110
Single Carton size WxDxH.....	535x330x90 mm
Single Carton gross weight.....	3.8kg
Units per master carton.....	4
Master carton size WxDxH.....	555x395x360mm
Master carton gross weight.....	16.1kg



AMPLIFIER LoZ

# INTUFORCE 2SDL70

STEREO AUDIO UTILITY AMPLIFIER

AMPLIFIER LoZ



## CONCEPT

The INTUFORCE™ 2SDL70 is an extremely compact low-impedance power amplifier for installation purposes. Featuring ultra-high CMRR circuitry at the input, it accepts long cable runs, and hence is perfectly suited to be placed close to the speakers but far from the source. Via its input forwarding function, it can serve both as a stereo and as a dual-mono amplifier. Every input sports an internal 100Hz Highpass filter to suit the connected speakers. Rear-side volume controls with peak LEDs allow exact level settings without any tampering by the operator. A balanced link output, which can either carry the original input signal or the signal processed by the volume controls, allows to build large cascaded systems to more complex requirements. Being based on class D amplification technology and a switch mode power supply with very conservative power reserves, the 2SDL70 not only runs cool and silent, but also has the endurance to satisfy the most demanding applications.

## TECHNICAL DATA

Rated Power @ 4Ω/8Ω.....	2x 65W/35W
Frequency response.....	20Hz – 20 kHz
S/N ratio.....	> 88 dB
Crosstalk damping.....	> 66 dB
THD&N (rated power).....	< 0.08%
AC IN .....	115V/230~ 50/60Hz, max 160W
Dimensions WxDxH.....	180x150x42mm (bare)
Dimensions WxDxH.....	205x181x53mm (corners)
Weight.....	1.22 kg

## FEATURES

- ▶ 2 individual amplifier blocks with 65W power @ 4Ω each
- ▶ Class D topology with switch mode power supply
- ▶ Balanced (TRS and 3.5mm terminal strip) inputs
- ▶ Ultra-High CMRR input circuitry for long cable runs
- ▶ Input forwarding switch for stereo and parallel mono modes
- ▶ Rear-side volume control for each channel with Peak LED
- ▶ Separate 100Hz HPF for both inputs
- ▶ Line-level LINK output on 3.5mm strip connectors with routing pre/post-volume for flexible scaling of cascaded systems
- ▶ External MUTE contact
- ▶ Speaker output via 5.0mm terminal strip connector
- ▶ Noiseless convection cooling without fan
- ▶ Full metal case, supplied with TPR bumper corner, surface mounting brackets and front mounting brackets for different mounting options
- ▶ JUP2 rackmount kit for 19" rack mounting available optionally
- ▶ AC mains voltage selector 115/230V
- ▶ CE/ROHS compliant

## LOGISTICS DATA

Order Number.....	2011001
Single unit EAN-13.....	5060502923103
Single Carton size WxDxH.....	265x265x80 mm
Single Carton gross weight.....	1.50 kg
Units per master carton.....	6
Master carton size.....	WxDxH 555x265x288mm
Master carton gross weight.....	9.60kg

AMPLIFIER LoZ



**MOUNTING OPTION A:**  
TPR Bumper Corners (incl.)



**MOUNTING OPTION B:**  
Surface Brackets (incl.)



**MOUNTING OPTION C:**  
Front Brackets (incl.)



**MOUNTING OPTION D:**  
19" Rack panel (with optional JUP2 rack mount kit)

INTUSonic

# APPLICATION EXAMPLE

## CONFERENCE SUITE

### APPLICATION

Conference Suite

### OBJECTIVE

An intuitive audio system that allows the users of this conference suite to easily control and playback audio from media devices

### CUSTOMER REQUIREMENT

- ▶ Simple user control
- ▶ Clear and intelligible audio for users of the suite
- ▶ Remote control of system for operation from head of desk
- ▶ Everything except loudspeakers must be installed out of sight
- ▶ No wireless audio connectivity required for maximum reliability

### PRODUCT SOLUTION



**6FP100T**

2x 6.5" 2-Way loudspeakers



**8SM300T**

1x Dual 8" subwoofer



**4SDL160**

1x 4-Channel amplifier



**VLA42**

1x Remote volume control node



### CONCEPT

This conference suite with a seating capacity of 22 features a 2.1 audio system using a pair of 6FP100T loudspeakers and a single 8SM300T compact subwoofer, powered by a 4SDL160 4 channel amplifier configured to its internal 2.1 mode allowing room tuning capabilities. This system was chosen for its ability to achieve higher SPL's when necessary but also to facilitate a smooth and clear lower working volume. The amplifier was installed in a side room out of reach to general suite users.

A single VLA42 was used thanks to its multiple audio input options, inclusive IR remote and ability to be installed above a false ceiling. The also inclusive IR sensor extension was used to offer reliable IR remote operation throughout the room. A small patch panel was affixed to the head of the desk so the connection of audio devices was neat and straight forwards, of which the IR remote provided source and volume control of each input.



# ▶ INTUWORX PAA71 ◀

MIC-LINE STEREO AUDIO MIXER

PREAMPLIFIER



## CONCEPT

The INTUWORX™ PAA71 is 7-channel mic/line mixer and the perfect centre of any installed sound system. It offers 5 multi-purpose inputs which can either be fed with a balanced microphone signal or an unbalanced stereo line signal. One further balanced stereo line level input is specifically useful for sources at larger distance, like a mixer on a stage, or the output of a different room's system. The same input can be switched to receive its input signal from the 3.5mm TRS jack on the front, or the built-in LINKOUSTIC™ 4.2 wireless audio link. An additional dedicated microphone input with adjustable talkover (priority) provides control over announcements. Every input – with the exception of the balanced stereo input – is equipped with rear-panel gain control and a front-panel 2-band equalizer. The external shutdown and emergency signal input connections allow integration with central announcement and evacuation systems where required.

## TECHNICAL DATA

Frequency response.....	20Hz – 20 kHz
S/N ratio.....	> 82dB (Line)
Crosstalk damping.....	> 72dB (Line)
THD&N.....	< 0.05%
AC IN .....	115V/230– 50/60Hz, max 12W
Dimensions WxDxH.....	482.6x180x44mm
Weight.....	2.5 kg

## FEATURES

- ▶ 5 stereo inputs switchable balanced-mic/unbalanced-line
- ▶ 1 balanced stereo input (FOH input), switchable to 3.5mm TRS input on the front panel or internal wireless audio receiver
- ▶ 1 dedicated microphone input on rear-side 3.5mm strip connector
- ▶ Rear-panel gain control, front-panel 2-Band EQ and front-panel level control for all input channels (no gain for FOH)
- ▶ 12V phantom power for microphones by internal jumper
- ▶ Adjustable auto talk-over (music level reduction if mic used)
- ▶ Internal LINKOUSTIC™ 4.2 wireless audio link with front-side antenna and forced pairing-release function
- ▶ One stereo master output (balanced 3.5mm strip connectors)
- ▶ Rear-side adjustable maximum level control for master output
- ▶ Rear-side mono switch for master output
- ▶ 8-LED level meter for stereo master output
- ▶ Emergency input (replaces master by emergency signal)
- ▶ Output mute contact to externally mute the output
- ▶ 3.5mm headphones output with volume control
- ▶ Unbalanced record output
- ▶ Internal wide-voltage linear PSU for excellent audio dynamics
- ▶ AC mains voltage selector switch 115/230V
- ▶ Full metal case with separately detachable rack ears and handles
- ▶ CE/ROHS compliant

## LOGISTICS DATA

Order Number.....	2018201
Single unit EAN-13.....	5060502923219
Single Carton size WxDxH.....	535x330x90 mm
Single Carton gross weight.....	2.9kg
Units per master carton.....	4
Master carton size WxDxH.....	555x395x360mm
Master carton gross weight.....	12.5kg



PREAMPLIFIER

# INTUWORX DLA26

2-IN-6 STEREO SPLITTER

PREAMPLIFIER



## CONCEPT

The INTUWORX™ DLA26 is a stereo 2-in-6 splitter allowing to build large multi-zone systems fed with different levels of the same two selectable input signals. Every output/zone features a 2-band EQ, volume control and overload LED on the front panel, and can be switched to mono on the rear panel if required. Likewise, a 100Hz HPF can be engaged per zone on the rear panel, to cater for connected speaker systems potentially unable to reproduce very low frequencies. Limiting the range of the front panel volume controls, additional rear-panel controls allow to set the maximum volume for every output/zone. Aside from its splitter/zoner functions, the DLA26 also adds versatility by allowing to feed a signal from a mobile device via its front-panel 3.5mm input, and by its additional emergency features which include a mute contact and an auto-sensing emergency priority input. The DLA26 is the perfect companion to single-output mixers to build multi-zone systems.

## TECHNICAL DATA

Frequency response.....20Hz – 20 kHz  
 S/N ratio.....> 85dB  
 Crosstalk damping.....> 72dB  
 THD&N.....< 0.05%  
 AC IN .....115V/230– 50/60Hz, max 12W  
 Dimensions WxDxH.....482.6x210x44mm  
 Weight.....2.9 kg

## FEATURES

- ▶ 2 balanced stereo inputs and 6 balanced stereo outputs
- ▶ Each output can be assigned to one of the two inputs
- ▶ Input A with additional switching 3.5mm TRS front jack input
- ▶ Mute switch and overload indicator for both inputs
- ▶ Signal-through connectors for both inputs to daisychain more units or connect other devices.
- ▶ All outputs with front-side volume control, 2-Band EQ and overload indicator
- ▶ Rear-side maximum volume control for every output
- ▶ Rear-side mono switch for every output
- ▶ Rear-side switchable 100Hz HPF for every output
- ▶ All outputs with 1/4" balanced TRS and 3.5mm terminal strip output connectors
- ▶ Mute contact for external shutdown of all outputs by contact closure
- ▶ Auto-sensing emergency input with priority for incoming emergency message and adjustable message volume
- ▶ Internal wide-voltage swing linear power supply for excellent audio dynamics
- ▶ Full metal case with separately detachable rack ears and handles
- ▶ AC mains voltage selector switch 115/230V
- ▶ CE/ROHS compliant

## LOGISTICS DATA

Order Number.....2012501  
 Single unit EAN-13.....5060502923233  
 Single Carton size WxDxH.....535x330x90 mm  
 Single Carton gross weight.....3.4 kg  
 Units per master carton.....4  
 Master carton size WxDxH.....555x395x360mm  
 Master carton gross weight.....14.5 kg



PREAMPLIFIER



# ▶ INTUPAK VLA42 ◀

## REMOTE VOLUME CONTROL NODE



VRE11  
Optional Wall Panel

PREAMPLIFIER

### CONCEPT

The INTUPAK™ VLA42 adds features to installed audio systems that contractors and integrators often miss. It switches between 4 sources, and adjusts the master volume - not only via its on-board controls, but also via the optional remote wall panel VRE-11 or the included infrared remote control. One of the 4 inputs features ultra-high CMRR circuitry, accepting long cable runs, making the unit ideally suited where a central audio signal needs to be received from far away just as well as local signals need to be processed. Due to the provided IR sensor extension connector and the digital RS485 control port, the unit can be placed in reach of the operator, just as well as hidden in a suspended ceiling or similar. In combination with the optional VRE-11 wall panel, an additional local audio input is available on the panel. Unlike other products for similar purposes, the VLA42 adopts high-headroom digital potentiometer circuitry for unparallelled audio performance.

### FEATURES

- ▶ 4 line level inputs (1x3.5mm-strip/balanced, 3xRCA-unbalanced)
- ▶ Input 1 with Ultra-High CMRR input circuitry for long cable runs
- ▶ Balanced master output (3.5mm terminal strip)
- ▶ Front volume control with 8-LED volume indicator
- ▶ Front source selector switches with indicator LEDs
- ▶ Indicator LED for remote input selection on wall panel
- ▶ IR receiver and 3.5mm TRS IR extension port. IRB44 included.
- ▶ RJ45 port for wall control panel (e.g. VRE11)
- ▶ Separate RJ45 port for external RS485 control
- ▶ High-headroom digital potentiometer circuitry
- ▶ Full metal case, supplied with TPR bumper corners, surface mounting brackets & front mounting brackets as options
- ▶ JUP2 rackmount kit for 19" rack mounting available optionally
- ▶ Internal switch mode PSU with AC mains selector 115/230V
- ▶ CE/ROHS compliant

**NOTE:** The VRE11 remote control panel is sold separately. See the relative VRE11 datasheet for full details and specifications.

### TECHNICAL DATA

Frequency response.....	20Hz – 20 kHz
S/N ratio.....	> 82dB
Crosstalk damping.....	> 72dB
THD&N.....	< 0.06%
AC IN.....	115V/230~ 50/60Hz, max 12W
Dimensions WxDxH.....	140x115x42mm (bare)
Dimensions WxDxH.....	166x146x53mm (corners)
Weight.....	0.75kg

### LOGISTICS DATA

Order Number.....	2019401
Single unit EAN-13.....	5060502923264
Single Carton (SC) size WxDxH.....	265x265x80mm
SC gross weight.....	1.0 kg
Units per master carton (MC).....	6
MC size WxDxH.....	555x265x288mm
MC gross weight.....	6.6 kg

PREAMPLIFIER



**MOUNTING OPTION A:**  
TPR Bumper Corners (incl.)



**MOUNTING OPTION B:**  
Surface Brackets (incl.)



**MOUNTING OPTION C:**  
Front Brackets (incl.)



**MOUNTING OPTION D:**  
19" Rack panel (with optional JUP2 rack mount kit)



# ▶ INTUPAK VRE11 ◀

## AUDIO REMOTE CONTROL PANEL



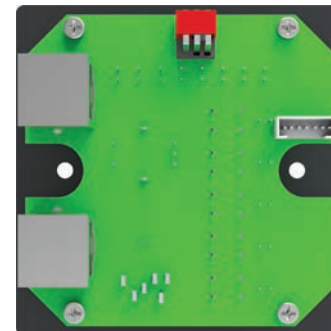
PREAMPLIFIER

### CONCEPT

Despite its unimposingly elegant looks, the INTUPAK™ VRE11 is a powerful and versatile user frontend for Intusonic's RS-485 enabled audio control systems. It fits standard wall box sizes with minimal depth and hence can be mounted right where its needed - in the room to be controlled. A standard CAT network cable is sufficient for connections; no additional power supply is required. Due to its daisy-chaining possibilities, more than one unit can be installed in a room, with the last operated one setting the system, and those settings being replicated on all VRE11 panels as well as the connected main unit. A local audio feed is possible as well, via the provided 3.5mm jack. For even better convenience, the VRE11 also sports an infrared remote control receiver and comes with a IRB44 remote control right out of the box. The VRE11 is compatible with the VLA42 control node and other RS-485 enabled INTUSONIC audio systems.

### FEATURES

- ▶ Replicates all main unit controls: source selector, volume control, volume indicator (8 LEDs)
- ▶ Additional local stereo 3.5mm TRS input (mono audio transmission to main system)
- ▶ Includes 2 metal panels, compatible with common EU/GB wall box sizes
- ▶ Connection to main unit via standard Cat5/Cat6 cable
- ▶ Assignable to one of 8 zones via on-board DIP-switch
- ▶ Multiple units can be daisy-chained with "last setting rules" system
- ▶ IR remote feature (IRB44 remote control included)
- ▶ No PSU required - power supply provided by main unit (max. 50m)
- ▶ Compatible with VLA42 and other Intusonic products with RS485 source/volume setting
- ▶ CE/ROHS compliant



### TECHNICAL DATA

Data connection.....	Intulink™ (RS485) via CAT5/6
Power supply.....	±12V DC via Intulink™ bus
Audio Input.....	3.5mm stereo TRS (mono summed)
Max. Number of zones.....	8
Dimensions WxDxH.....	86x86x42 mm (/w knob)
Mounting depth.....	30 mm
Weight.....	0.15 kg

### LOGISTICS DATA

Order Number.....	2019501
Single unit EAN-13.....	5060502923271
Single Carton (SC) size WxDxH.....	103x103x60mm
SC gross weight.....	0.2 kg
Units per master carton (MC).....	8
MC size WxDxH.....	215x215x135mm
MC gross weight.....	1.8 kg

REAR VIEW

PREAMPLIFIER

# APPLICATION EXAMPLE

## RETAIL STORE

### APPLICATION

Retail Store

### OBJECTIVE

A clean and discreet, easy to operate background music system with limited control.

### CUSTOMER REQUIREMENT

- ▶ 'No frills' background music system that must be easy to operate
- ▶ High quality audio output to represent retail products
- ▶ All equipment on show must be made as discreet as possible
- ▶ The control and power equipment must have a small footprint
- ▶ Audio playback from licensed music software provider using only RCA connections

### PRODUCT SOLUTION



**4FW50T**  
8x 4" wideband loudspeakers for shopping area



**8SM300T**  
1x Dual 8" subwoofer



**4SDL160**  
1x 4-Channel amplifier



**VLA42**  
1x Remote volume control node



**VRE11**  
1x Audio remote control panel



### CONCEPT

A complete but simple solution was installed into this retail store specialising in high end goods. A total of eight 4FW50T wideband loudspeakers were used to evenly distribute high quality audio around the store and selected due to their extra small footprint. A single 8SM-300T compact subwoofer provides low rich tones to complete the spectrum, all powered by a single 4SDL160 four channel amplifier running in a 2.1 configuration.

For audio input, a single VLA42 was installed thanks to easy operability, the option to plug-in up to four audio sources, and the use of an external wall panel (VRE11) offering easy control for staff and the ability to plug in a fifth local device via a 3.5mm TRS socket. The VLA42 was also specified with the optional JUP2 19" rack-mount kit allowing both the VLA42 and 4SDL160 to be fixed in to a flight case taking up only 3U of space.

# ► MOUNTING BRACKETS ◀

WALL & CEILING INSTALLATION ACCESSORIES

SPEAKER BRACKET

## ● SUSP-M6



### ● TECHNICAL DATA

Speaker fixation.....M6 bolt & counterplate  
 Wall fixation.....hole pattern (6 holes)  
 Material.....steel  
 Maximum load.....10 kg  
 Adjustment.....1 axis  
 Dimensions.....WxDxH 110x40x170mm  
 Weight.....0.29 kg  
 Suitable models.....4FW50T

### ● LOGISTICS DATA

Order Number (blk).....1300101  
 Single unit EAN-13 (blk).....5060502923400  
 Order Number (wt).....1300111  
 Single unit EAN-13 (wt).....5060502923417  
 Single ctn size.....WxDxH 195x110x53mm  
 Single ctn gross weight.....0.35 kg  
 Units per master ctn.....30  
 Master ctn size...WxDxH 410x360x300mm  
 Master ctn gross weight.....11.3 kg

## ● VESA75-100PRO



### ● TECHNICAL DATA

Speaker fixation.....VESA 75-100mm  
 Wall fixation.....hole pattern (4 holes)  
 Material.....steel  
 Maximum load.....15 kg  
 Adjustment.....2 axis  
 Dimensions.....WxDxH 115x160x105mm  
 Weight.....0.98 kg  
 Suitable models.....6FP100T

### ● LOGISTICS DATA

Order Number (blk).....1300141  
 Single unit EAN-13 (blk).....5060502923448  
 Order Number (wt).....1300151  
 Single unit EAN-13 (wt).....5060502923455  
 Single ctn size.....WxDxH 120x170x120mm  
 Single ctn gross weight.....1.14 kg  
 Units per master ctn.....18  
 Master ctn size...WxDxH 370x350x380mm  
 Master ctn gross weight.....21.3 kg

SPEAKER BRACKET



# ▶ 100V TRANSFORMERS ◀

## RETROFIT SPEAKER LINE TRANSFORMER KITS

100V TX KIT

### ● UTK20



### ● TECHNICAL DATA

Power handling.....20W  
Frequency response.....50Hz-16Khz  
Load impedance.....16Ω  
Core size.....EI41  
Dimensions.....WxDxH 67x35x34mm  
Weight.....0.18 kg  
Accessories.....screws  
Suitable models.....4FW50T

### ● LOGISTICS DATA

Order Number.....1306001  
Single unit EAN-13.....5060502923394  
Single ctn size.....WxDxH 50x70x45mm  
Single ctn gross weight.....0.2 kg  
Units per master ctn.....on request  
Master ctn size.....on request  
Master ctn gross weight.....on request

### ● UTK60



### ● TECHNICAL DATA

Power handling.....60W  
Frequency response.....50Hz-16Khz  
Load impedance.....8Ω  
Core size.....EI57  
Dimensions.....WxDxH 90x68x70mm  
Weight.....0.65kg  
Accessories.....bracket, screws  
Suitable models.....6FP100T

### ● LOGISTICS DATA

Order Number.....1305701  
Single unit EAN-13.....5060502923387  
Single ctn size.....WxDxH 78x100x80mm  
Single ctn gross weight.....0.70 kg  
Units per master ctn.....on request  
Master ctn size.....on request  
Master ctn gross weight.....on request

100V TX KIT

# ▶ RACKBRACKET JUP2 ◀

DUAL-BAY RACK-MOUNTING PANEL

RACKBRACKET



## CONCEPT

The INTUPAK™ JUP2 is the flexible solution for rack-mounting any INTUSONIC™ product in the 140mm and 180mm semi-rack format into a full 19" rack space. Allowing to combine a multitude of the same or different units, it minimizes space consumption and maximizes functional versatility. Made from steel with durable coating, the U-shaped structure provides both elegance and stability. Each unit is mounted separately by its own included rack bracket set (unit bracket sets not included). The JUP2 comes with one blank panel which can be mounted if one of the spaces is left unused; all required screws for securely mounting the two semi-rack format units are included as well. The JUP2 matches current INTUSONIC products like the 2SDL70 compact power amplifier, the VLA42 volume control node and other upcoming products in the semi-rack format.

## FEATURES

- ▶ Dual-bay rack-mounting panel
- ▶ Compatible with 140mm and 180mm products
- ▶ U-shaped structure from zinc-plated steel
- ▶ Screws included

## TECHNICAL DATA

Mounting bays.....	2
Bay size.....	140/180mm
Dimensions WxDxH.....	482.6x25x44mm
Weight.....	0.23 kg

## LOGISTICS DATA

Order Number.....	2021201
Single unit EAN-13.....	5060502923370
Single Carton size WxDxH.....	52x500x30 mm
Single Carton gross weight.....	0.3 kg
Units per master carton.....	on request
Master carton size.....	on request
Master carton gross weight.....	on request



## APPLICATION EXAMPLE

Mounted in JUP2:  
1st bay with mounted INTUFORCE™ 2SDL70 amplifier  
2nd bay with mounted blank panel  
(single bay usage)

RACKBRACKET

# APPLICATION EXAMPLE

## HOUSE OF WORSHIP

### APPLICATION

House of Worship

### OBJECTIVE

To install an aesthetically pleasing audio system with a small footprint, and offer control of acoustic echo as much as possible without expensive external processing.

### CUSTOMER REQUIREMENT

- ▶ Equipment to be controlled exclusively from rear of church by operator
- ▶ Vocal intelligibility to be the main focus
- ▶ Even distribution of audio for best listening experience
- ▶ System must be able to accept up to four microphones working simultaneously
- ▶ Ability to plug in a single laptop for audio replay

### PRODUCT SOLUTION



6FP100T

8x 6.5" 2-Way loudspeakers



8SM300T

2x Dual 8" subwoofer



4SDL160

2x 4-Channel amplifier



PAA71

1x Mic/Line mixer



### CONCEPT

With vocal intelligibility and the reduction of echo at the forefront of this installation, eight 6FP100T's loudspeakers were installed evenly throughout the pews allowing not only fluid audio distribution but the ability to run the system at a lower volume with the target area being covered sufficiently thus reducing ambient echo. Two 8SM-300T subwoofers were installed to provide lower frequency extension when the church choir were performing for male bass singers. These cabinets were fixed to the wall as to not block any walkways nor disturb the buildings aesthetics.

At the rear of the church saw the control equipment which consisted of a simple to operate PAA71 line/microphone level mixer. This was specified as it not only catered for but offered expansion capabilities should the church decide to increase the number of media or microphone inputs. A single PAA71 offers a dedicated auxiliary input which can be fed by either a rear mounted RCA connection, front mounted TRS socket, or wireless audio streaming thanks to built-in Linkoustic technology. In addition, the PAA71 offers a further five switchable line or microphone level inputs and a dedicated priority microphone input for emergency broadcasting if required. Finally, the church utilised the REC output for recording services locally to a PC.



## INTUGRIDHMA72 | HZE11

MULTI-ZONE AUDIO ROUTER | ZONE PANEL



### CONCEPT

The INTUGRID™ HMA72 is the core unit of Intusonic's digitally controlled audio zoning and paging system, which is complemented by the HZE11 zone remote wall panel and the to-be-announced HPA61 paging station. Together they deliver a scalable audio routing system for background music and paging. The HMA72 offers two microphone inputs, 5 line inputs, a front-panel 3.5mm TRS input and a LINKOUSTIC™ 4.2 wireless audio link, which can be flexibly routed to its two output zones, with each of these zones controllable either by the on-board user interface, the included IR remote or a wall remote control panel. Every zone can be configured extensively to meet the application's demands, while keeping user interaction extremely simple. The HZE11 zone remote wall panel allows to remotely control all zone settings plus accepts a local audio feed. The HPA61 paging station can page to zone groups or singular zones, and provides an on-board programmable chime sound generator.

### FEATURES

- ▶ 2 output zones with TRS connectors; each with rear-panel mono switch, 100Hz HPF, max level control, 2-band EQ, adjustable paging/emergency volumes, adjustable priority damping, microphone incl./excl./priority, HZE11 wall remote interface
- ▶ Evac features: emergency input replaces master signal with emergency signal at adjustable level; output mute contact
- ▶ 2x8 LCD display with encoder and IR remote for user zone settings
- ▶ 4 unbalanced line stereo inputs (RCA) with input gain control
- ▶ Wall panels can be disabled on main unit
- ▶ 1 balanced stereo input (1/4" FOH input) with input gain control
- ▶ 1 unbalanced 3.5mm TRS stereo input on front panel
- ▶ 1 external mono audio source through HRE11 remote wall panel
- ▶ Built-in LINKOUSTIC™ 4.2 wireless audio link
- ▶ 2 balanced microphone inputs with rear-side TRS connector, front-panel gain control, and internal phantom power jumpers
- ▶ Metal case with detachable ears and handles



## INTUWORX PAA42

DUAL OUTPUT STEREO MEDIA PREAMPLIFIER



### CONCEPT

The INTUWORX™ PAA42 is a media preamp/mixer which combines a 6-input stereo preamplifier with 2 microphone inputs and an internal media player. The microphone section is configurable with phantom power and high pass filters, and allows automatic attenuation of the music signal (talkover/priority), making this unit a popular choice with fitness instructors. The internal media player offers USB replay, FM reception, LINKOUSTIC™ 5.0 wireless audio link and an IR remote control. The two master outputs with fire evacuation facilities can be configured to work mono or stereo, and the main output can be remotely controlled via RS485 with the optional VRE11 wall panel. The second output also offers the direct choice of selected inputs as sources, making it effectively a zone output. A dedicated priority line input for a chime or message player, as well as one of the stereo inputs being balanced for long cable runs, complete the comprehensive feature set of this unit.

### FEATURES

- ▶ 3 unbalanced (RCA) +1 balanced (TRS) line stereo inputs with input gain control
- ▶ 1 unbalanced 3.5mm TRS stereo input + 1 external mono source via VRE11 remote wall panel
- ▶ Front source selector switches with 7 source indicator LEDs
- ▶ 1 rear-panel balanced mono priority input with level control for external sources
- ▶ 2 balanced microphone inputs with rear-side 3.5mm strip connector
- ▶ Mic inputs with rear-panel gain control, switchable phantom power (12V) and HPF plus front-panel 2-Band EQ, volume controls, on-air switches and adjustable talkover
- ▶ Internal USB media player/FM+RDS tuner with file/folder access and 128x64 LCD display
- ▶ LINKOUSTIC™ 5.0 wireless audio link; IR remote control (included)
- ▶ Main output on 3.5mm strips; rear-panel mono switch, max level control, 2-band-EQ
- ▶ Zone output: source switchable Main/Line1/Line2, rear-panel mono switch, max level control
- ▶ Evac features: emergency with adjustable level; output mute contact
- ▶ Unbalanced record output with internal MONO jumper
- ▶ Metal case with detachable ears and handles

**PRELIMINARY**  
FINAL SPECIFICATION TBA



**INTUSONIC**

Designed, engineered and manufactured by  
**Universal Technical Industries Limited**

[WWW.INTUSONIC.COM](http://WWW.INTUSONIC.COM)